

Pipe Clamps



U-Bolt Pipe Clamp



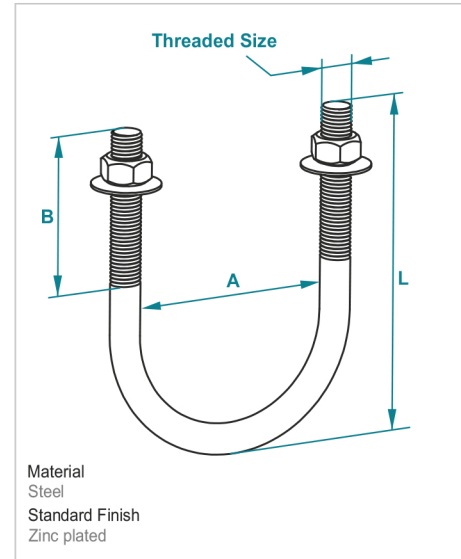
1 set includes Bolt, 2 hex nut, 2 plain washers

Mounting Example



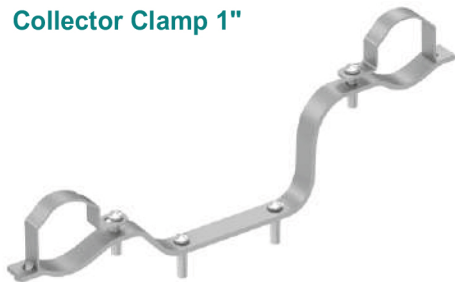
Application

Used for fixing the pipe lines to walls or profiles in building sector.
U bolt size is determined according to supported pipe.



PIPE SIZE NOMINAL NB	Ø DIAMETER	PRODUCT DESCRIPTION	SIZE	A	L	B	LOAD kN Up to 343	WEIGHT Kg / Set
				mm	mm	mm		
				Inside	Length	Thread Length		
15	21,3	1/2" U bolt M6x50 with 2pc - M6 Hex nuts & Plain washers - EG	M6	24	50	30	0,64	0,020
20	26,9	3/4" U bolt M6x60 with 2pc - M6 Hex nuts & Plain washers - EG	M6	30	60	30	0,64	0,024
25	33,7	1" U bolt M8x70 with 2pc - M8 Hex nuts & Plain washers - EG	M8	36	70	30	0,64	0,053
32	42,4	1 1/4" U bolt M8x80 with 2pc - M8 Hex nuts & Plain washers - EG	M8	46	80	40	0,64	0,061
40	48,3	1 1/2" U bolt M8x90 with 2pc - M8 Hex nuts & Plain washers - EG	M8	52	90	50	0,64	0,068
50	60,3	2" U bolt M10x100 with 2pc - M10 Hex nuts & Plain washers - EG	M10	64	100	50	1,62	0,121
65	76,1	2 1/2" U bolt M10x120 with 2pc - M10 Hex nuts & Plain washers - EG	M10	78	120	50	1,62	0,145
80	88,9	3" U bolt M12x140 with 2pc - M12 Hex nuts & Plain washers - EG	M12	94	140	60	3	0,245
90	101,6	3 1/2" U bolt M12x150 with 2pc - M12 Hex nuts & Plain washers - EG	M12	106	150	65	3	0,264
100	114,3	4" U bolt M12x160 with 2pc - M12 Hex nuts & Plain washers - EG	M12	118	160	65	3	0,283
125	139,7	5" U bolt M12x200 with 2pc - M12 Hex nuts & Plain washers - EG	M12	146	200	65	3	0,352
150	165,3	6" U bolt M16x220 with 2pc - M16 Hex nuts & Plain washers - EG	M16	172	220	90	3,65	0,739
200	219,1	8" U bolt M16x270 with 2pc - M16 Hex nuts & Plain washers - EG	M16	224	270	90	3,65	0,914
250	273	10" U bolt M16x334 with 2pc - M16 Hex nuts & Plain washers - EG	M16	278	334	100	3,65	1,128
300	324	12" U bolt M16x380 with 2pc - M16 Hex nuts & Plain washers - EG	M16	328	380	100	3,65	1,290
350	355,6	14" U bolt M18x413 with 2pc - M18 Hex nuts & Plain washers - EG	M18	360	413	100	4	1,811
400	406,4	16" U bolt M20x470 with 2pc - M20 Hex nuts & Plain washers - EG	M20	412	470	120	4,8	2,584
450	457	18" U bolt M20x520 with 2pc - M20 Hex nuts & Plain washers - EG	M20	464	520	120	4,8	2,866
500	508	20" U bolt M24x582 with 2pc - M24 Hex nuts & Plain washers - EG	M24	514	582	120		4,711
600	610	24" U bolt M24x700 with 2pc - M24 Hex nuts & Plain washers - EG	M24	616	700	120		5,653

Collector Clamp 1"

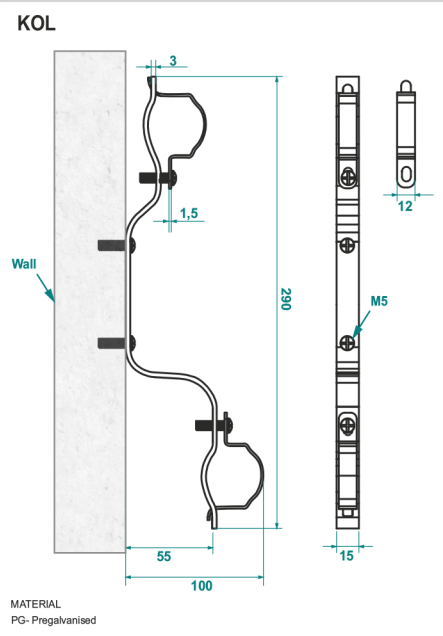


Mounting Example



Application

Used for fixing the steel collectors by mounting into collector cabinets.



PRODUCT DESCRIPTION	WEIGHT	QUANTITY PER BOX	BOX WIGHT
	Kg	Pcs	Kg
1" Collector Clamp	0,151	40	6,04